



## Sunbrite Product Gallery

COMPLETE SOLID STATE, ENERGY EFFICIENT LIGHTING SOLUTIONS

### 1156 Base LED

#### Applications

- Warning Lamps and Indicators
- Decorative Lighting
- Stop/Turn/Tail/Light
- Architectural Lighting

#### Features\Benefits

- Large Range of Voltages Available
- Other Colors Available
- Low Power Consumption
- Drop in Incandescent Replacement
- Vibration Resistant



[Product Gallery](#) > [Traffic and Automotive](#) > [1156 Base LED](#)

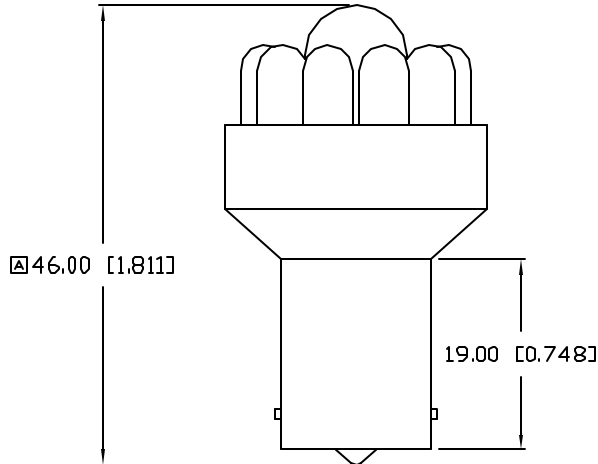
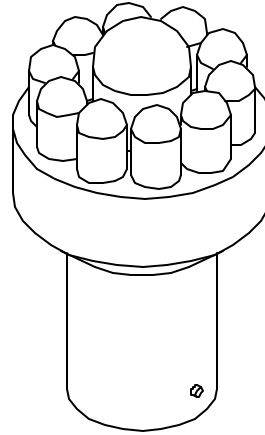
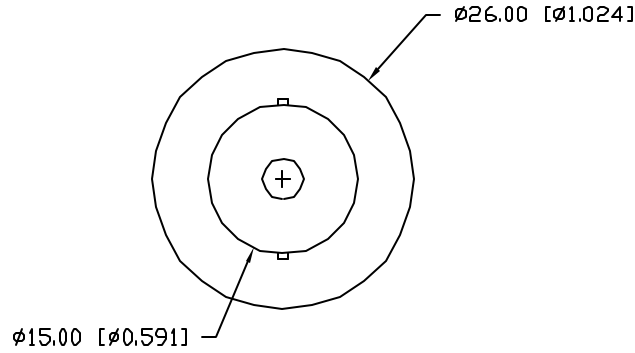
Part Numbers:	Emitted Color	Wavelength (nm)	Material	Unit LED Intensity mCD per die @ 20mA (lf)(Typical)	Fwd. Voltage	Standard Common Pin
<a href="#">SSP-1156B152UP12</a>	Ultra Pure Green	525	InGaN/SiC	70,400	12	1156
<a href="#">SSP-1156B153S12</a>	Super Yellow	590	AllnGaP	48,500	12	1156
<a href="#">SSP-1156B156U12</a>	Ultra Red	626	AllnGaP	47,000	12	1156
<a href="#">SSP-1156B157U12</a>	Super Blue	470	InGaN/SiC	13,500	12	1156
<a href="#">SSP-1156B15912</a>	Ultra White	-	InGaN/SiC	48,000	12	1156

UNCONTROLLED DOCUMENT

PART NUMBER  
SSP-1156B153S12

REV.  
B

REV.	E.C.N. NUMBER AND REVISION COMMENTS	DATE
A	E.C.N. #10958.	
B	E.C.N. #11025.	



ELECTRO-OPTICAL CHARACTERISTICS  $T_A=25^{\circ}\text{C}$   $V_f=12\text{V}$

PARAMETER	MIN	TYP	MAX	UNITS	TEST COND
PEAK WAVELENGTH		590		nm	
FORWARD VOLTAGE		12.0	14.0	$V_f$	
REVERSE VOLTAGE	5.0			$V_r$	$I_f=100\mu\text{A}$
AXIAL INTENSITY		48500		mcad	$V_f=12\text{V}$
VIEWING ANGLE		20		2x theta	
EMITTED COLOR:	YELLOW				
EPOXY LENS FINISH:	WATER CLEAR LENS				

LIMITS OF SAFE OPERATION AT  $25^{\circ}\text{C}$  PER MODULE

PARAMETER	MAX	UNITS
PEAK FORWARD VOLTAGE	14	V
STEADY CURRENT	110	mA
POWER DISSIPATION	105	mW
DERATE FROM $25^{\circ}\text{C}$	-1.2	mW/ $^{\circ}\text{C}$
OPERATING, STORAGE TEMP.	-40 TO +85	$^{\circ}\text{C}$

\*UNLESS OTHERWISE SPECIFIED TOLERANCES PER DECIMAL PRECISION ARE: X=±1 (±0.039), XX=±0.5 (±0.020), XXX=±0.25 (±0.010), XXXX=±0.127 (±0.005). LEAD SIZE=±0.05 (±0.002), LEAD LENGTH=±0.75 (±0.030). MIN=  $\begin{matrix} +0.00 \\ -0.00 \end{matrix}$  DECIMAL PRECISION MAX=  $\begin{matrix} +0.00 \\ -0.00 \end{matrix}$  DECIMAL PRECISION

UNCONTROLLED DOCUMENT

REV. B PART NUMBER SSP-1156B153S12

CONFIDENTIAL INFORMATION  
THE INFORMATION CONTAINED IN THIS DOCUMENT IS THE PROPERTY OF SUNBRITE LEDS. EXCEPT AS SPECIFICALLY AUTHORIZED IN WRITING BY SUNBRITE LEDS, THE HOLDER OF THIS DOCUMENT SHALL KEEP ALL INFORMATION CONTAINED HEREIN CONFIDENTIAL AND SHALL PROTECT SAME IN WHOLE OR IN PART FROM DISCLOSURE AND DISSEMINATION TO ALL THIRD PARTIES.



1156 LED REPLACEMENT LAMP, YELLOW.

RELIABILITY NOTE  
DUR MANY YEARS OF EXPERIENCE DATA ACCUMULATION INDICATE THAT SOLDER HEAT IS A MAJOR CAUSE OF EARLY AND FUTURE FAILURE. PLEASE PAY ATTENTION TO YOUR SOLDERING PROCESS.

DRAWN: BC CHECKED: APPROVED: DATE: PAGE: 1 OF 1